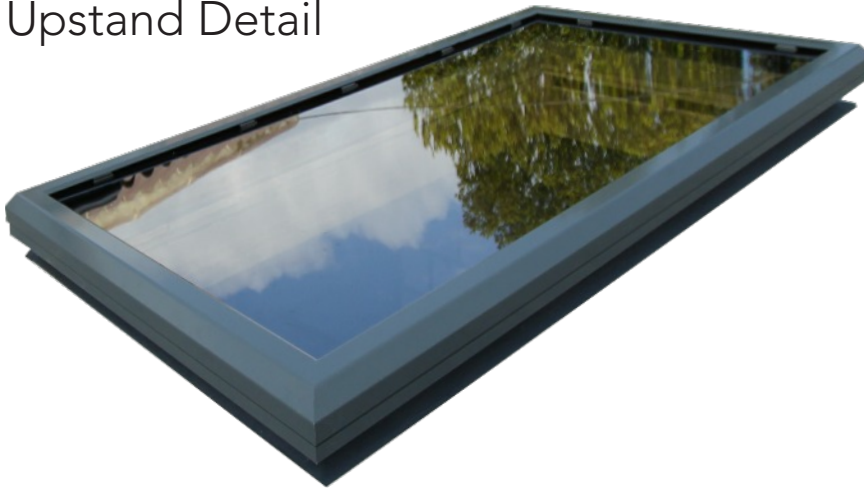
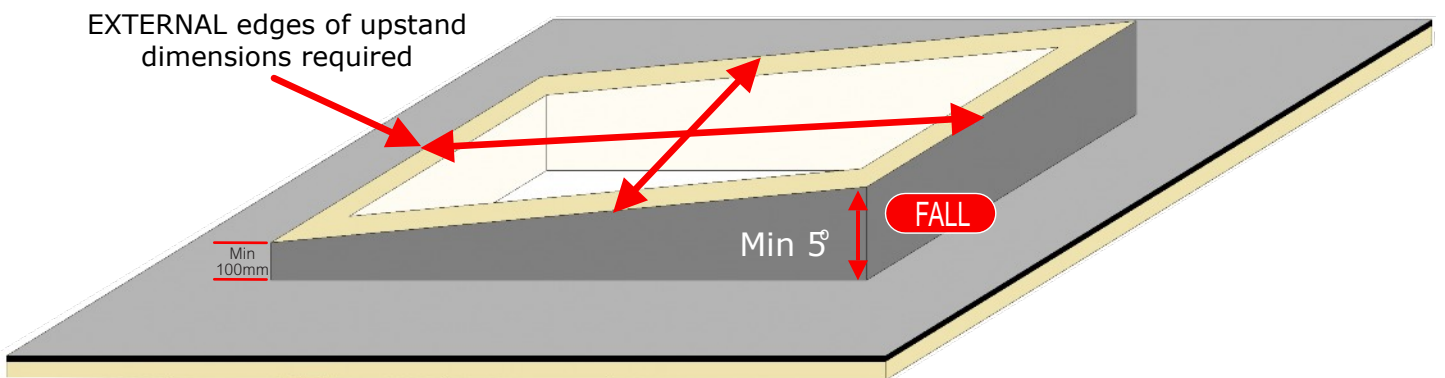


Multi Flat Upstand Detail



UPSTAND DETAIL



Min 5° = 80mm of fall for every 1m of depth

IMPORTANT NOTE

DIMENSIONS

Measure opening from outside edges of your upstand.

FALL

Upstand must have a minimum of a 5 degree fall from front to back. DO NOT PROCEED IF NOT. A five degree slope is approximately 80mm of fall for every 1m of depth.

FLAT

Check upstand top is even and flat ie Eaves beam must not bow when screwed down.

